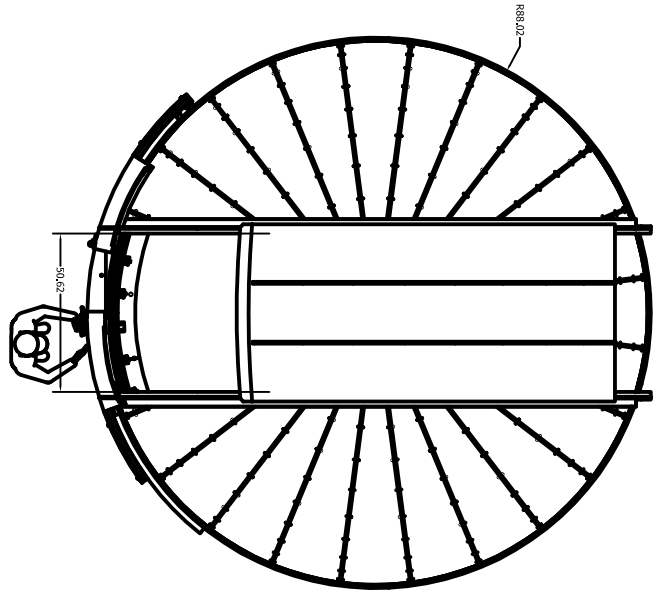
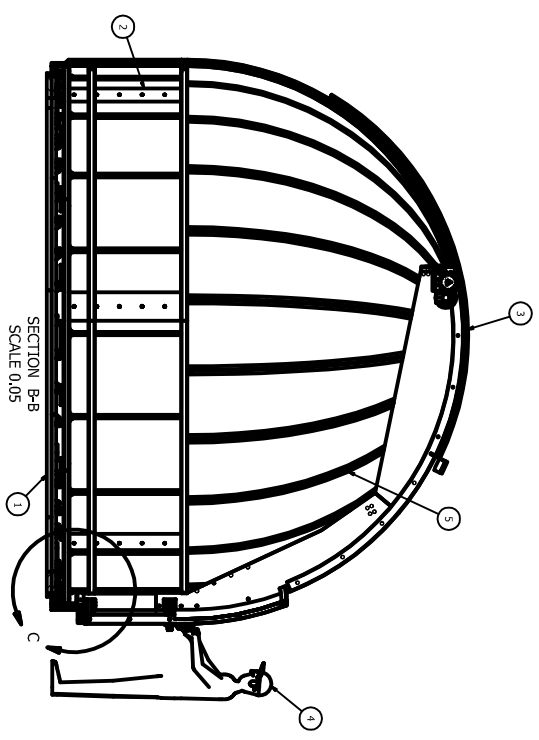
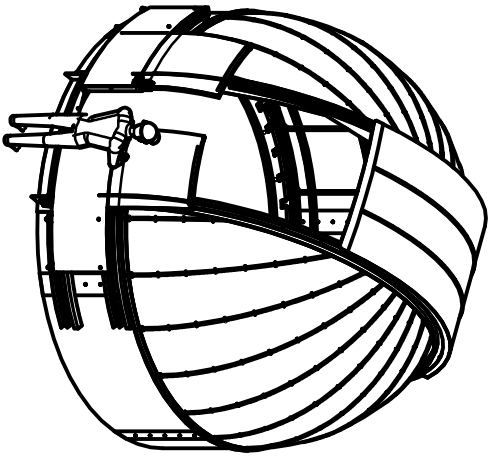


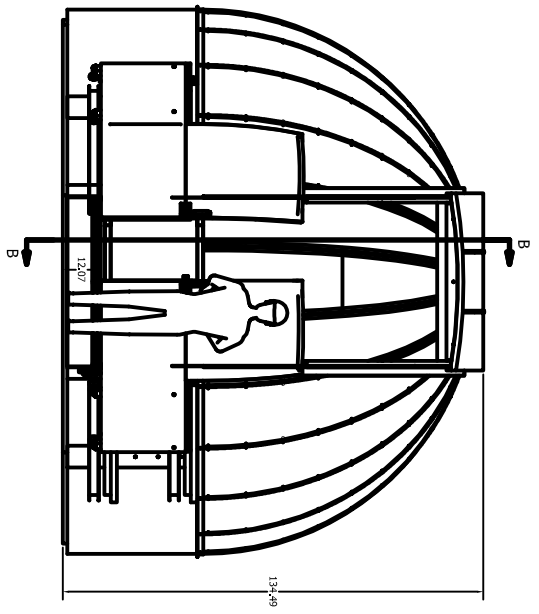
DETAIL, C
SCALE: 2:



R88.02



SECTION B-B
SCALE 0:05



134.49

DATE	3/21/2013
CHECKED	
BY	
DESIGNED	
PROJECT	14-6 DOME OBSERVATORY, WITH DOORS
SCALE	D
DATE	14-6-00
PROJECT	PTD1
BY	
DATE	
PROJECT	

ITEM	QTY	PART NUMBER
1	1	14-6-1 PTD2
2	1	14-6-2-000 PTD1
3	1	14-6-3-000 PTD1
4	1	14-6-4-000 PTD1
5	1	14-6-5 PTD2