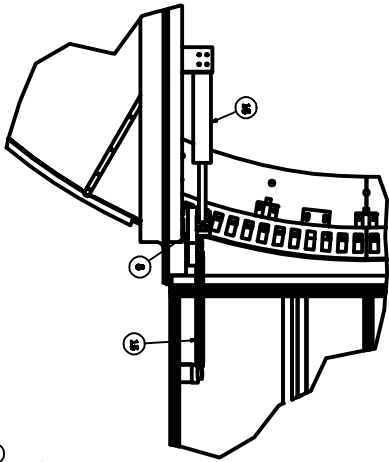
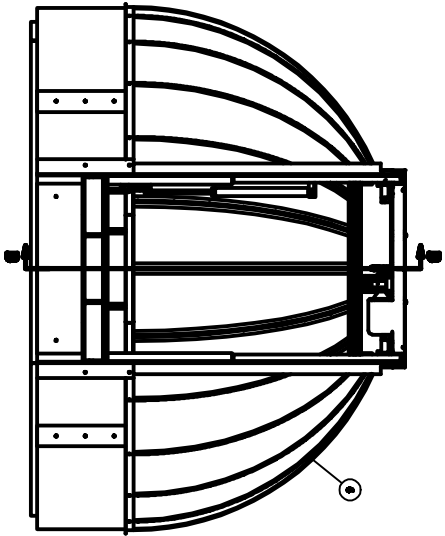
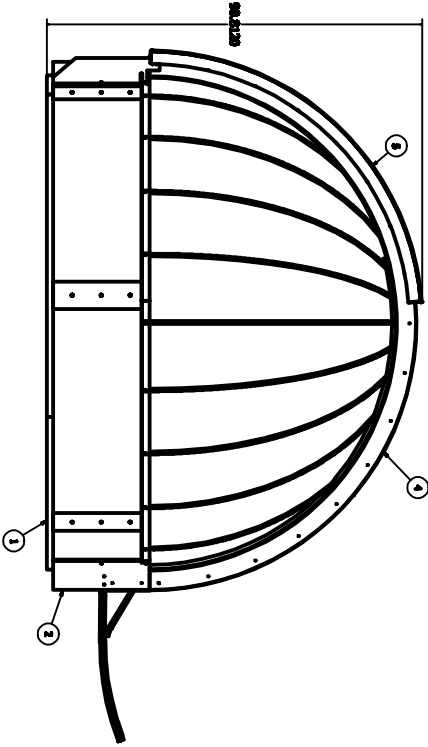
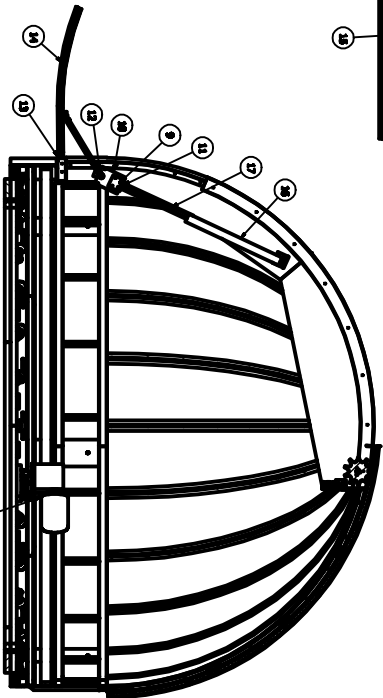


SECTION A
SCALE: 1/8"



SECTION B
SCALE: 1/8"



ITEM	QTY	UNIT	DESCRIPTION
1	1	EA	...
2	1	EA	...
3	1	EA	...
4	1	EA	...
5	1	EA	...
6	1	EA	...
7	1	EA	...
8	1	EA	...
9	1	EA	...
10	1	EA	...
11	1	EA	...
12	1	EA	...
13	1	EA	...
14	1	EA	...
15	1	EA	...
16	1	EA	...
17	1	EA	...
18	1	EA	...
19	1	EA	...
20	1	EA	...
21	1	EA	...
22	1	EA	...
23	1	EA	...
24	1	EA	...
25	1	EA	...
26	1	EA	...
27	1	EA	...
28	1	EA	...
29	1	EA	...
30	1	EA	...
31	1	EA	...
32	1	EA	...
33	1	EA	...
34	1	EA	...
35	1	EA	...
36	1	EA	...
37	1	EA	...

Part-Title: **100-000**
 Date: **10-0-00**
 Scale: **1/8"**
 Drawing No.: **100-000**
 Rev: **1**